

EMERSON OVERHEAD GEARED MOTOR

ADJUSTMENT OF EMERSON MOTOR

Turn the screw bushings in the two lugs at the upper rear part of motor housing to the right, clockwise until their shoulder is down against the lugs.

Remove the two cap screws from right hand cam shaft bracket cap.

Place motor in position with end of screw bushings resting on bosses on top of cam shaft bracket cap, with the driving pinion meshed with and resting on top of driving gear.

Insert the two lower motor holding screws through lugs and screw loosely into place.

Insert the two cap screws through screw bushings and screw into cam shaft bracket until head is within 3-16" of screw bushing. See Figure 1.

This should result in lifting pinion away from top of gear. See Figure 2.

Place a piece of ordinary writing paper between driving gear teeth and pinion teeth and by turning the screw bushings to the left counter-clockwise, lower motor carefully and evenly until pinion just binds the paper between its teeth and those of the gear. See Figure 3.

Be careful to not lower any more than to just bind the paper. Fasten lower screws securely. Fasten top screws securely.

This motor unless otherwise specified is fitted with a 21-tooth spiral fibre pinion, Part No. C-1209, which at 850 revolutions of the motor will give $6\frac{1}{3}$ lines per minute.

It is necessary to set the motor carefully so as to secure correct operating condition and economy covering the wear and life of the pinion. Should the distance be too close or too open, then excessive pinion wear will occur, making necessary frequent replacements.

When ordered we furnish other spiral driving pinions as follows:

Part No.	Number of Teeth	Lines per Minute
C-1234	19	$5\frac{2}{3}$
C-1235	20	6
C-1189	22	$6\frac{2}{3}$
C-1986	23	7
C-1304	24	$7\frac{1}{3}$
C-2064	25	$7\frac{1}{2}$
C-1264	26	$7\frac{3}{4}$

The two grease cups should be kept filled with any good grade medium ball bearing grease.

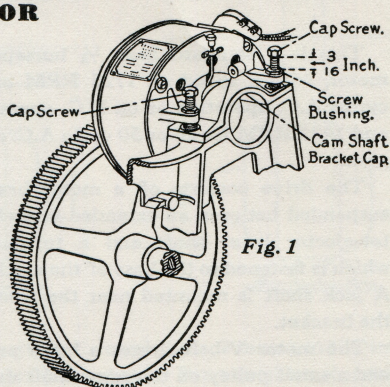


Fig. 1

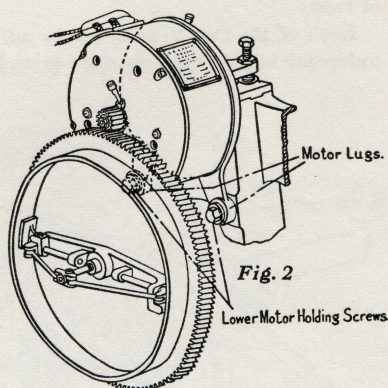


Fig. 2

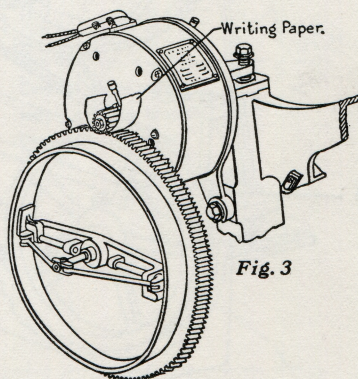


Fig. 3