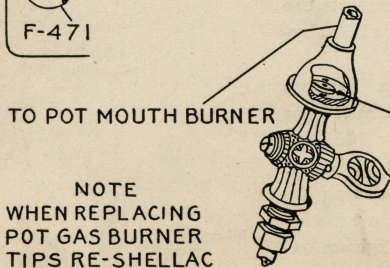
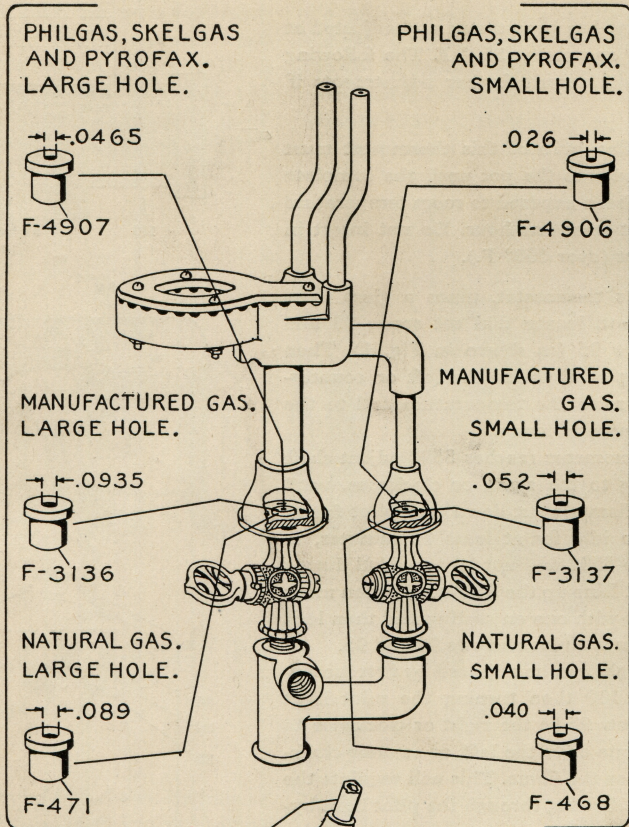


# POT GAS BURNER TIPS



NOTE  
WHEN REPLACING  
POT GAS BURNER  
TIPS RE-SHELLAC  
PIPE JOINTS.

- F-4906  
PHILGAS, SKELGAS  
AND PYROFAX.
- F-3137  
MANUFACTURED GAS.
- F-468  
NATURAL GAS.