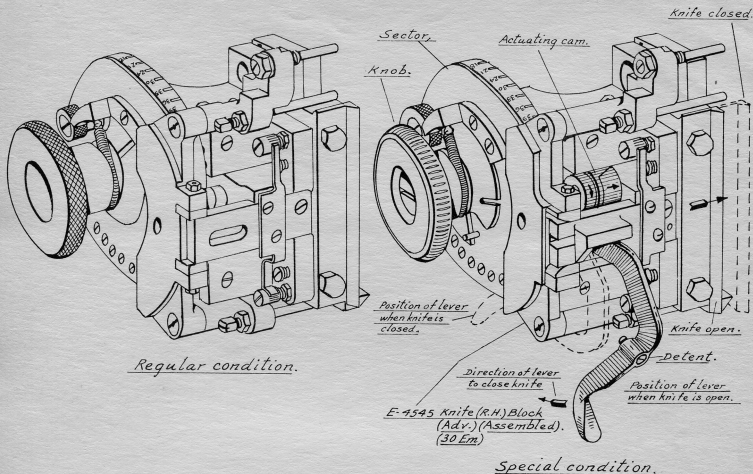


Mr. Anderson



KNIFE (R.H.) BLOCK (ADV.) (ASSEMBLED), PROVIDED WITH QUICK OPENING FEATURE

A new knob type Knife (R.H.) Block (Adv.) (Assembled) has been designed. It is provided with a device for quickly opening the right hand knife when it is desired to permit a slug with an overhanging character to pass the knives.

An actuating cam operated by a lever attached to it is the means of operation. It controls the quick opening of the right hand knife and restores it to its original setting without the use of the knob or change of point setting of the sector.

This quick change device, when used with point size settings up to 14 points makes it possible to separate the knives for an additional 30 points. When the knives are set for more than 14 points trim, the device opens a space between the knives to a maximum 45 point opening.

APPLIED IN FACTORY TO MODELS

An optional extra on 30 Em Models 29-30-31-32-33 and Supplemental Models 5-8-9-14-25-26, specifying Advertising Knife Block.

OUTSTANDING MODELS

Can be applied to outstanding 30 Em models by substituting E-4545.

MERGENTHALER LINOTYPE COMPANY, Brooklyn, N.Y.