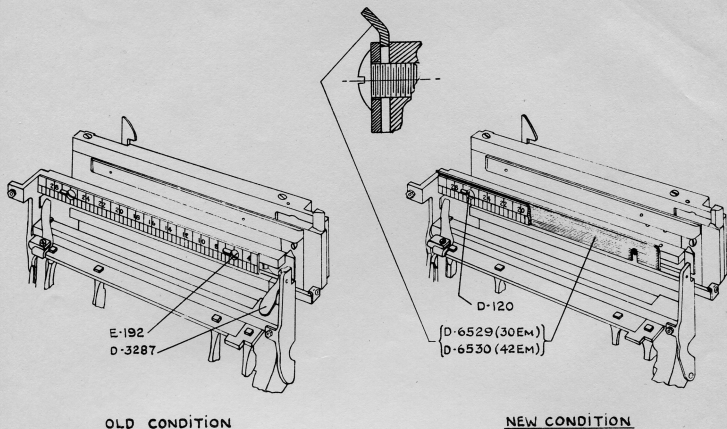


LINOTYPE IMPROVEMENT SHEET

No. 288



OLD CONDITION

NEW CONDITION

ASSEMBLING ELEVATOR GATE HANDLE

A new method has been adopted to facilitate opening of Assembling Elevator Gate. This replaced the present Finger Latch located at right end of the Assembling Elevator.

APPLIED IN FACTORY TO MODELS

All new Model 5, 29, 30, 31, 32, 33, 34, 35, 36 Machines.

OUTSTANDING MODELS

Can be applied to all outstanding Models by removing and discarding 2 of E-192 (30 Em) or 3 of E-192 (42 Em) and 1 of D-3287. Place Strip D-6529 (30 Em) or D-6530 (42 Em) behind scale and fasten with 2 of D-120 (30 Em) or 3 of D-120 (42 Em).

MERGENTHALER LINOTYPE COMPANY, Brooklyn, N.Y.

October 10, 1949

No. 288

Printed in U.S.A.