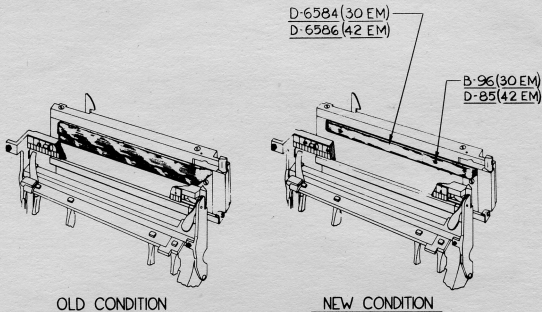


LINOTYPE IMPROVEMENT SHEET

NO. 296



ASSEMBLING ELEVATOR MATRIX RETAINING RAIL

The Assembling Elevator Matrix Retaining Rail has been improved to allow more clearance between the lug of Matrix and Retaining Rail.

APPLIED IN FACTORY TO MODEL

All current Models

OUTSTANDING MODELS

Can be applied to all Models with or without Retaining Rail. See Mailing Sheet #597.

First applied to Model 29(4)(90) - Serial #60783.

MERGENTHALER LINOTYPE COMPANY, Brooklyn, N.Y.

January 12, 1950

No. 296

Printed in U.S.A.