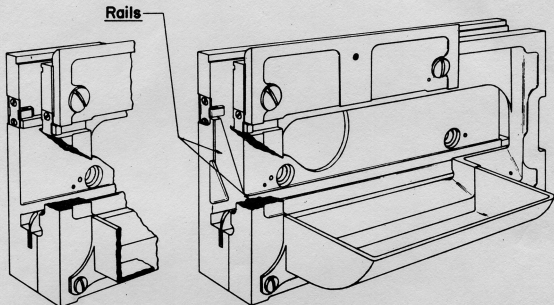


LINOTYPE IMPROVEMENT SHEET

NO. 306



OLD CONDITION

NEW CONDITION

INTERMEDIATE CHANNEL

A pair of Rails are now provided in the Intermediate Channel to prevent hair spaces from falling to the floor and assist in guiding them into the Quad Box.

APPLIED IN FACTORY TO MODEL

All new Model 5-29-30-31-32-33-34-35-36 (30 Em) Machines.

OUTSTANDING MODELS

Can be applied to all outstanding (30 Em Machines) by replacing the present Intermediate Channel Front and Back Plates (Assembled) with the new Front and Back Plates (Assembled) (D-6691).

First applied to Model 31(4)(90) - Serial #64335

MERGENTHALER LINOTYPE COMPANY, Brooklyn, N.Y.

January 15, 1951.

No. 306

Printed in U.S.A.