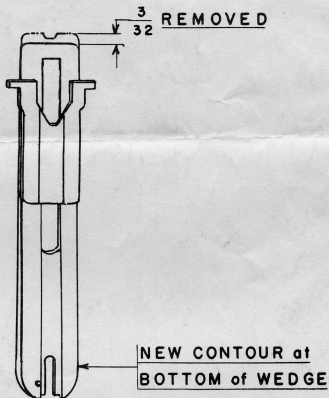


LINOTYPE IMPROVEMENT SHEET

NO. 317



TELETYPESETTER SPACEBAND J-6453

A new Linotype Spaceband J-6453 has been designed for Teletypesetter Operation. The top of the Spaceband Wedge has been strengthened, and the shape of the bottom of wedge improved to eliminate possibility of the Spaceband catching on Matrix Support Ledge in Assembling Elevator. May be used for 4-14 Point Two Letter Matrices and One Letter Matrices to 30 Points.

The Range is .0369" to .1219". Identification 6 Lines.

APPLIED IN FACTORY TO MODELS

All Models when specified.

MERGENTHALER LINOTYPE COMPANY, Brooklyn, N.Y.

June 7, 1956.

No. 317

Printed in U.S.A.