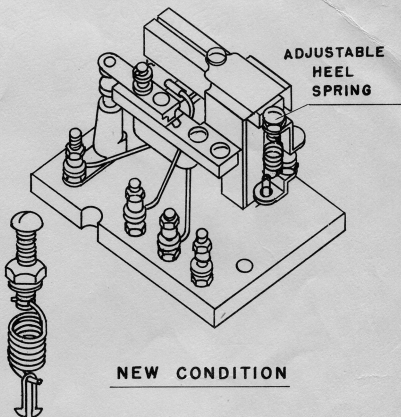


OLD CONDITION



NEW CONDITION

F-9046 ATTACHMENT

MICRO-THERM ADJUSTABLE RELAY HEEL SPRING ATTACHMENT (F-9046)

A Micro-Therm Adjustable Relay Heel Spring Attachment has been designed to control the adjustment of the spring tension to insure the opening of the Relay under all conditions.

APPLIED IN FACTORY TO MODELS

All New Machines with Micro-Therm Electric Pot.

OUTSTANDING MODELS

Can be applied to Outstanding Models.

MERGENTHALER LINOTYPE COMPANY, Brooklyn, N.Y.