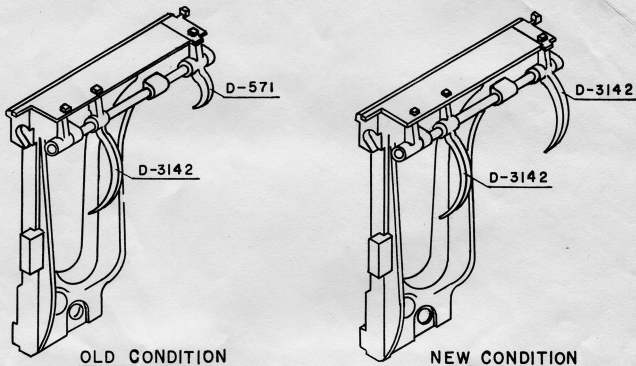


LINOTYPE IMPROVEMENT INFORMATION SHEET

NO. 330



ASSEMBLING ELEVATOR DUPLEX RAIL, LONG, OPERATING LEVER

A redesigned Duplex Rail, Long, Operating Lever D-3142 is now used in place of the Duplex Rail, Short, Lever D-571. The new Lever extends down sufficiently below the Hydraquadder Measure Control to permit easier operation of the Duplex Rail, Short.

APPLIED IN FACTORY TO MODELS

All new Models except Comet.

OUTSTANDING MODELS

Can be applied to all Outstanding Models except Comet.

MERGENTHALER LINOTYPE COMPANY, Brooklyn, N.Y.

May 7, 1958

No. 330

Printed in U.S.A.