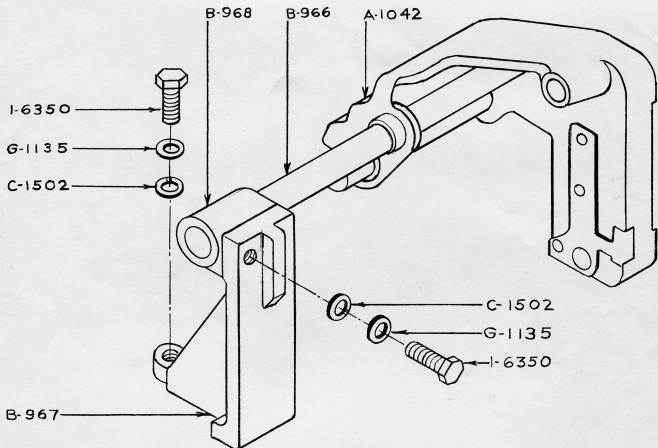


LINOTYPE IMPROVEMENT INFORMATION SHEET

NO. 341



POT PUMP BRACKET SUPPORT

A new support bracket and shaft have been designed to provide additional support to the pot pump bracket during the casting of the slug.

APPLIED IN FACTORY TO MODELS

All models.

OUTSTANDING MODELS

Can be applied to outstanding Linotypes by ordering the parts in List No. 452. Mailing Sheet No. 652 is used. For outstanding Linotypes, the support shaft is reduced in diameter where it enters the pot pump bracket, so that the same pot pump bracket and mold cam lever handle can be used.

NO. 341