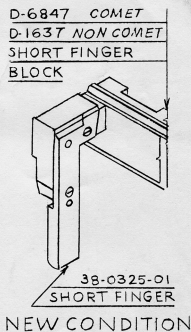
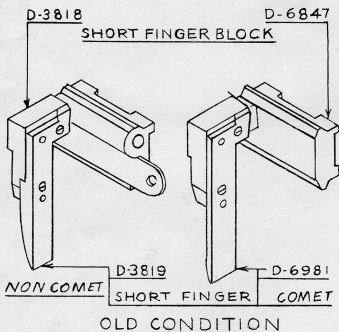


LINOTYPE IMPROVEMENT INFORMATION SHEET

NO. 344



DELIVERY SLIDE SHORT FINGER

A new delivery slide short finger 38-0325-01 has been made standard on all new models. It has a smaller radius at the bottom than that on the D-3819 finger which prevents the possibility on quadder machines of a spaceband close to the end of the line, tilting and striking the right-hand vise jaw as the line descends.

APPLIED IN FACTORY TO MODELS

All new models.

OUTSTANDING MODELS

The 38-0325-01 short finger can be applied to outstanding Comet machines to replace D-6981. For machines which use the D-3819 short finger, a new finger D-7283 with the same radius as the 38-0325-01 finger can be used to replace D-3819 without the necessity of replacing the short finger block.

NO. 344