

(Model.)

2 Sheets—Sheet 1.

L. B. BENTON.
TOOL GRINDER.

No. 422,874.

Patented Mar. 4, 1890.

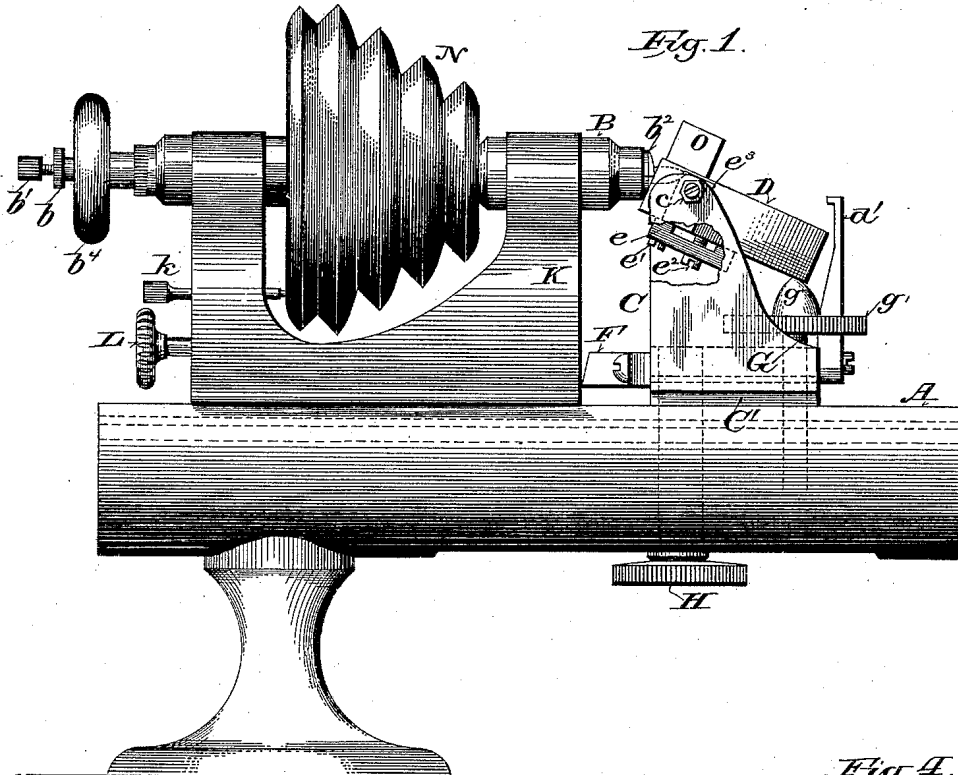


Fig. 1.

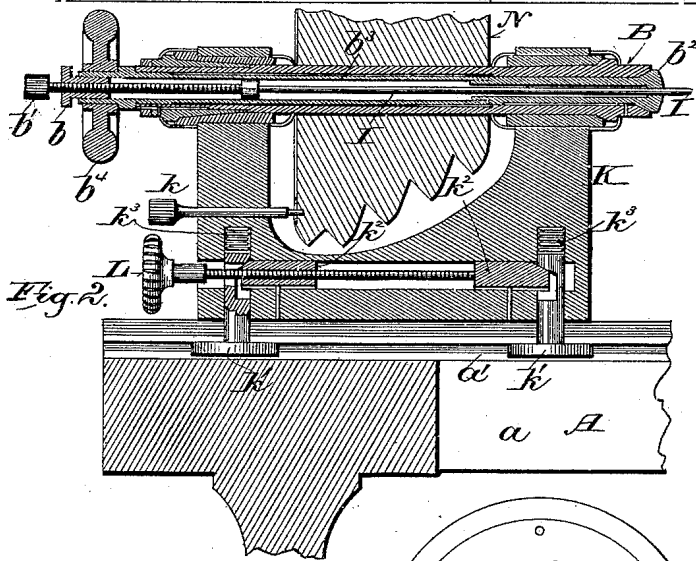


Fig. 2.

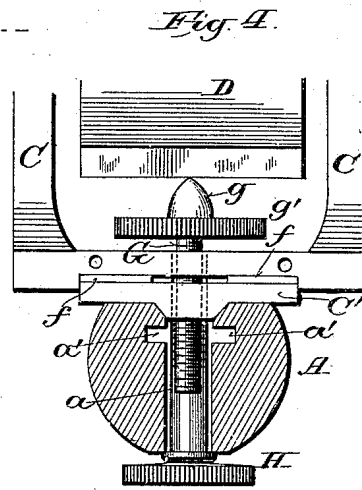
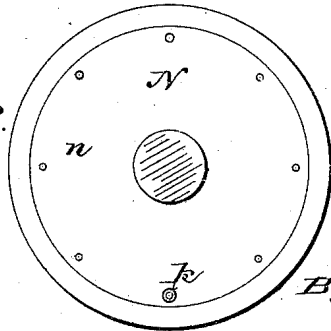


Fig. 4.

Fig. 3.



Witnesses:
Ed. Amma
Chas. L. Gos.

Inventor:
Linn Boyd Benton
By Wm. H. Smith, Boston, Mass.
Attorneys.